

SPD-A3-ADIA06-T01

Hall current sensor

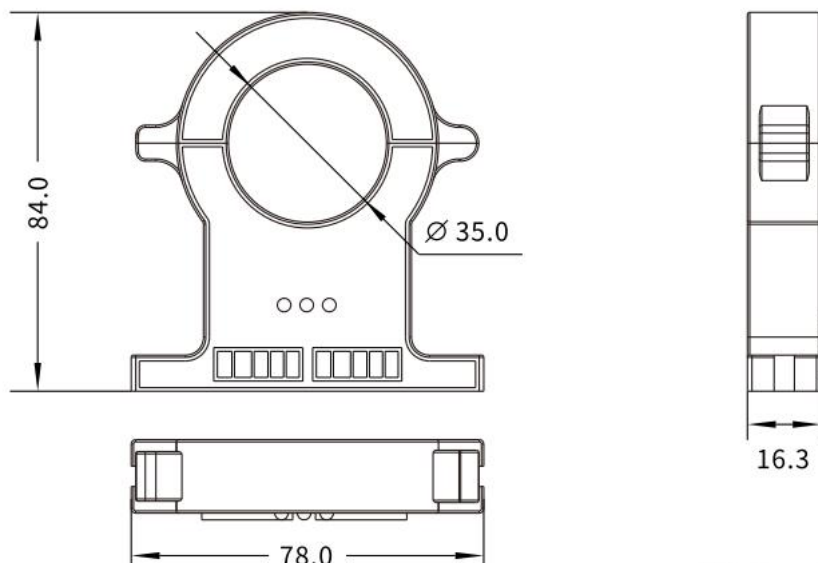
1. Safety and installation precautions

Please be sure to comply with the following regulations, otherwise personal safety may be endangered or the equipment may not be usable!

- Please read the product manual carefully before installation to confirm whether the product fully meets the usage requirements. If you have any questions, please contact the product supplier.
- Check whether the product model is consistent with the corresponding model in the manual.
- Before installation and disassembly, ensure that all external power supplies are disconnected. Please do not power on the device until the device is installed.
- Before powering on the device, make sure that the power supply voltage meets the voltage range required by the device.
- It is required that the shielding layer of the SNS bus communication cable and the equipment grounding terminal be grounded in a reliable way.
- Ensure that the ambient temperature in the area where the equipment is installed is within the range of $-40^{\circ}\text{C}\sim 85^{\circ}\text{C}$, and the relative humidity is maintained at 5%~95%.

2. Dimension

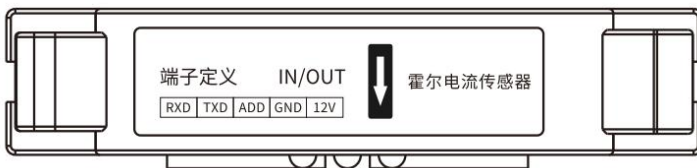
Unit (mm)



3. Indicator light explanation

Indicator light	Explanation
RXD	Data receiving indicator
TXD	Data sending indicator
RUN	Device running indicator

4. Terminal definition



Item	Terminal definition
RXD	Data receiving
TXD	Data sending
ADD	Address
GND	Negative power
12V	Positive power

5. Specification

Working voltage	9-16V DC
Communication port	2 x SNS bus ports
Working current	<100mA @ 12V DC
Baud rate	4800bps
Protection	Power: PPTC +TVS SNS bus: PPTC +TVS
Accuracy	± 1%
Over voltage / current protection	Power: 18V / 200mA SNS bus: 18V / 200mA
Hole size	35mm, open style
linear range	100%FS
Lightning protection	Power: 600W

Response time	≤200mS
Working environmental	-40℃~85℃, 5%~95%RH, no condensing
Size	78mm(L) x 16.3mm (W) x 84mm (H)

6. Troubleshooting and diagnosis

Issue	Reason	Method
RUN light is not on	Power fault	Check the device is powered normally or not, standard voltage is 12V DC.
RXD light is always on and no flashing	SNS bus cable fault	Check whether the positive and negative poles of the SNS bus are reversely connected
Communication light not flash during communication	SNS bus cable fault	Check whether there is SNS bus cable circuit short

7. Packing list

No.	Name	QTY
1	Device	1
2	Quality card	1
3	5P-3.81 terminal block	2
4	Manual	1